



collibree

MOBILE LOCKER.®.EU

YOUR HI-TECH LOCKER SOLUTION



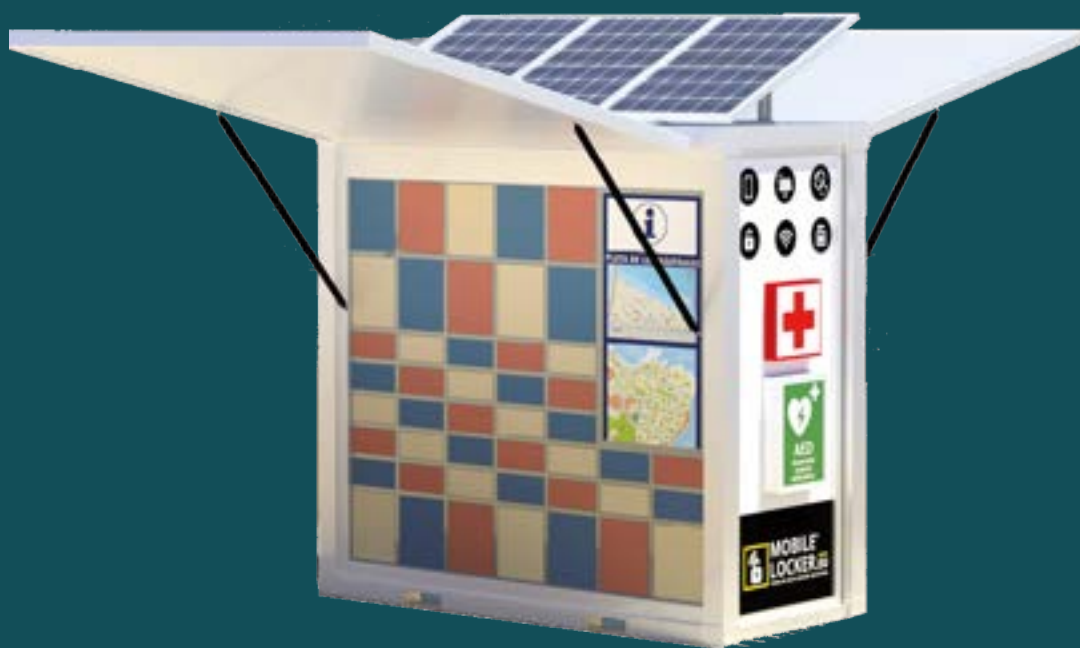
Akamai Lockers

CONVENIENT-SAFE-SECURE



**MOBILE[®]
LOCKER.EU**
YOUR HI-TECH LOCKER SOLUTION

01 Who are we?



Akamai Lockers International Inc. is the exclusive Hawaii distributor of Mobile Locker, the world's leading fully automated locker system. Our state-of-the-art lockers are designed to make your life easier, safer, and more convenient.

Our lockers come in a wide range of sizes and configurations to suit various needs. From small lockers for personal items such as phones and wallets to larger ones that can accommodate luggage or sports equipment, we have got you covered.

Our smart locker system is easy to use. Visitors simply need to select an available locker, create a PIN code, and store their belongings inside. The locker will automatically lock and only open again when the visitor enters their unique PIN code. This ensures that each locker is secure and can only be accessed by its rightful owner.

At Akamai Lockers International Inc., we pride ourselves on providing exceptional customer service. Our team is always on hand to answer any questions you may have about our smart locker systems and help you find the perfect solution for your business or venue.

INNOVATIVE

Driven by powerful software that allows you to integrate cross marketing tools with a minimum of staff. Combinable with various payment systems, including cashless payment solutions and, thanks to our open API, there are many possibilities for integration.

QUALITY

Robust, reliable and durable mobile and fixed lockers with a longer service life than the average locker in the market. Our lockers are made of high quality and robust materials and have been tested for many years for all outdoor applications.

CUSTOMISED

Compose your own locker units, adapted to the needs of your location or business model. Possibility to personalise look & feel of the lockers.

MOBILE

The only supplier in the world that has mobile lockers available so that the available spaces can be optimally used (patented).

Our locker systems are designed and manufactured in Europe
Quality software and sustainable materials
Quickly available and adaptable

02 The Collibree locker unit



Collibree is a hi-tech and fully automated locker solution for businesses giving them the possibility to be open 24/7 for pickups and deliveries: Click & Collect!

CLICK & COLLECT

In the increasingly competitive retail market, merchants have to keep innovating to stay ahead of their competitors. Many retailers turn to the power of the internet and set up a webshop as more and more people find their way to online shopping.

There is just one issue that remains: how to get your product to the customer? This has especially become perceptible since the outbreak of the Corona virus.

Some merchants offer next day delivery or in-store pickup. However, choosing to link up with a courier service can be quite expensive and a cause for delays. Furthermore, immediate delivery is not guaranteed as your customers are not always at home.

This results in the parcel being sent back, placed in a random non secure place or being sent back to a post office which has limited opening hours. Our Collibree click & collect lockers are an innovative way to tackle all of the above issues.



Always available & affordable

Your business is open 24/7 for delivery and collection without anyone having to be present.



Easy installation


The Collibree is delivered ready-to-use, installed and linked to your (current) system.




24/7 and contactless access

By means of a personal QR code, customers pick-up their products when it suits them.


2.1 How does it work



Prepare the order
After the online purchase, you place the products in your Collibree



Safe and accessible in the locker
A notification and code is automatically sent to the customer



Flexible & Contactless collection
The customer collects their purchase when it's convenient.

After the customer places an order through your online web shop, you get all the information to prepare the order. You log in to our software to fill in the client's information (name, e-mail address etc.) and place the items in a locker. After you are done, the client will receive a pincode or QR code by email or SMS that he can use to open his locker. This step can also be entirely automatised by linking our software to your online web shop online web shop via SDK or API.. You will then only need to place the items in a locker.

The locker unit is designed to be installed outdoors so the customer is able to access it 24h/24h 7d/7d. This provides you with an excellent way to extend your store hours and increase revenue whilst at the same time having a cost down. Above that, this method ensures flexibility, service and guarantees pick up at first attempt.

Every unit comes with a user terminal to scan the QR code. We can also add a payment terminal wich opens new possibilities. Lockers will only open once the due amount has been paid.



On top of all of this, the Collibree lockers also ensure you can keep doing business, even in uncertain times like we are currently undergoing with the Covid-19 virus.

Seeing that the lockers can be installed outside there is no need for the customer to interact with any of the store staff. Using a QR code the pick up of the product can be carried out completely contactless.

Your Collibree looks even better when personalized in the colors of your brand, which means that in addition to a digital counter and a parcel locker, it also becomes a showcase for your brand, product and / or promo.



A Collibree parcel locker for every situation



RETAIL



INDUSTRY



FOOD



CAR BODYWORK

2.2 The software

We attach great importance to quality and innovation. This is why we create our own software for our units. Since we create it in-house, we can easily adapt to the needs and wishes of our clients. We also update it regularly so it's always state of the art. Our software has a lot of advantages:

- Online cloud monitoring
- Platform-based accessibility with connected locker units.
 - Possibility to choose/change rental time/price at any moment
 - Possibility to see occupancy rate at any moment
 - Possibility to open locker from a distance in case of emergency through wifi/4G
 - Full overview of the transactions and incomes
 - See the real-time status of a particular locker (open, closed, stuck)
 - Get notified of the different delivery steps
 - Possibility to reset the whole unit or only a part of it
 - Possibility to turn off certain payment options (if there is a payment terminal on the unit)
 - And much more

All these functions are available around the world as long as you have a working internet connection.



2.3 The hardware



"If you want to build your own software you must build your own hardware."

- Steve Jobs -

Material

- 2mm high grade steel
- zinc coated corpus is 0.8-0.9mm (higher than industry standard)
- Powder coated 3 layers
- Stainless steel hinge
- Stainless steel (inox 314) user terminal and shelves

Lock

- Electric motor
- Waterproof plastic casing (stainless)
- Non-corrosive parts
- Anti-theft alarm
- Stuck alarm
- +4000 N pulling force

Internet

Fixed internet connection per terminal
SIM card (optional or as a backup solution when the fixed internet is lost):

- Local SIM card
- Sim card with worldwide network acces

Electricity

- Standard 230 volt 16 amp per user terminal.
- Also compatible with 110V
- Can vary depending an what charging facilities are provided to the end user"

User/payment terminal

The user kiosk is made of high-quality steel and protected with a layer of marine grade stainless steel. They are also designed to be wheelchair accessible.

User terminal:

- Hooligan proof
- 10 inch touchscreen
- RFID reader (for access)
- Industrial PC (USB + Serial)
- Printer (vouchers, services, access)
- Multilingual (EN, DE, SP, FR, NL, ...)

Pay terminal:

- Bank terminal (all cards) pin code
- Contactless terminal (NFC)
- Apple Pay
- Payconiq
- Cash terminal (note acceptor)
- Cash return (1 euro coins)
- Voucher or discount system

2.4 The standard units

All our hardware is totally customizable. We created 3 units to give you a good idea of the possibilities.



Essential

12 lockers
(210,5 cm H x 79,6cm W x 72cm D)

Classic

20 lockers
(210,5cm H x 164,2cm W x 72cm D)



Super

32 lockers
(210,5cm H x 258,8cm W x 92cm D)



2.5 The modular unit

Our Collibree lockers are completely modular, this allows our customers to create their own setup of lockers without any restrictions. Options are limitless and completely adaptable to your needs and wishes. They can also grow with you and your business.

User & payment terminal

Every unit needs a terminal which comes with different options

- Touchscreen
- QR-code reader
- RFID reader
- Ticket printer
- Coin receptor
- Note acceptor
- Coin collector
- ...



2.5.1 Terminals

MLT4

If no cash payment is necessary, the user and payment terminal can be integrated in a MLT4 module.

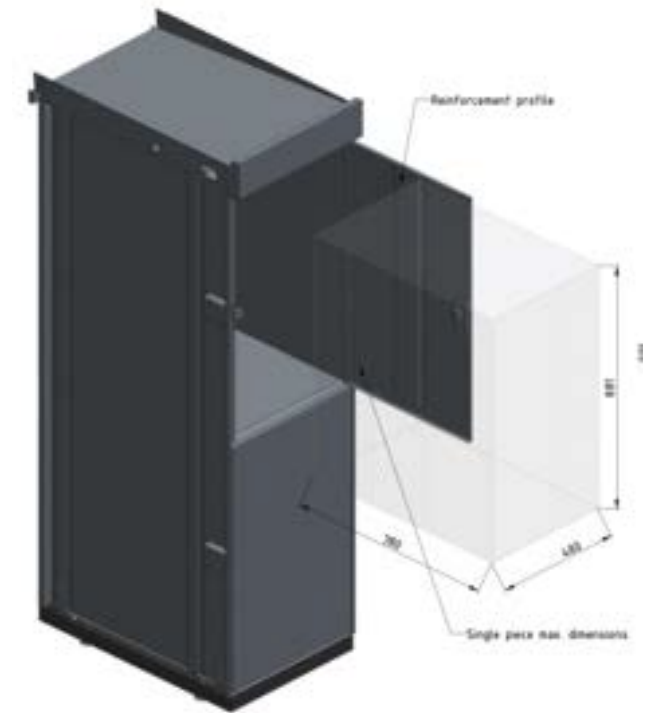
The 3 other lockers are available and can be used for clients.

Module dimensions:
H 201 cm x W 42,5 cm x D 70,5 cm

Maximum dimensions of packages (up to*):
H 44 cm x W 35 cm x D 60,5 cm



2.5.2 Locker modules



MLT 6

If cash payment is necessary, the user terminal needs to be combined with an MLT6 module.

Module dimensions:
H 210,5cm x W 70cm x D 72cm

Maximum dimensions of packages

Small:
H 13,6cm x W 28,7cm x D 60cm

Large:
H 31,7cm x W 28,7cm x D 60cm

ML 1

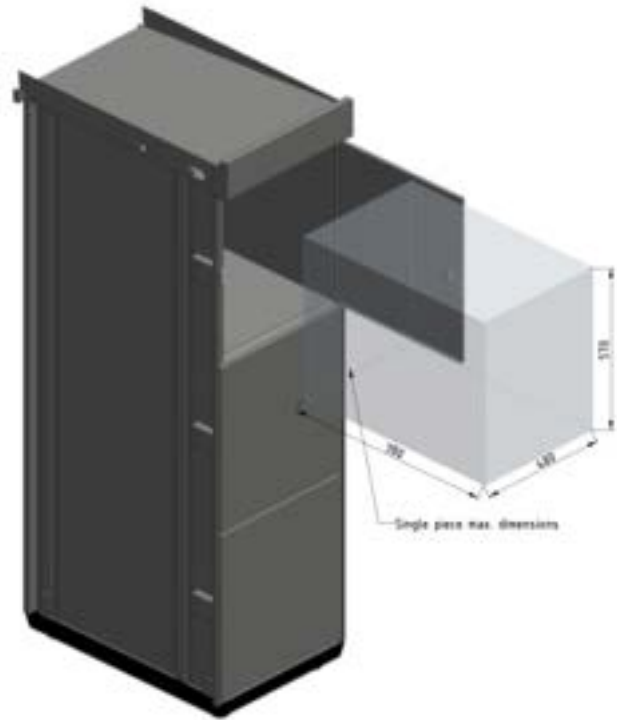
(coming soon)

ML 2

Extra extra large Lockers

Module dimensions:
H 201 cm x W 57,5 cm x D 90,5cm

Maximum dimensions of packages (up to*):
H 86,5 cm x W 50 cm x D 80,5 cm

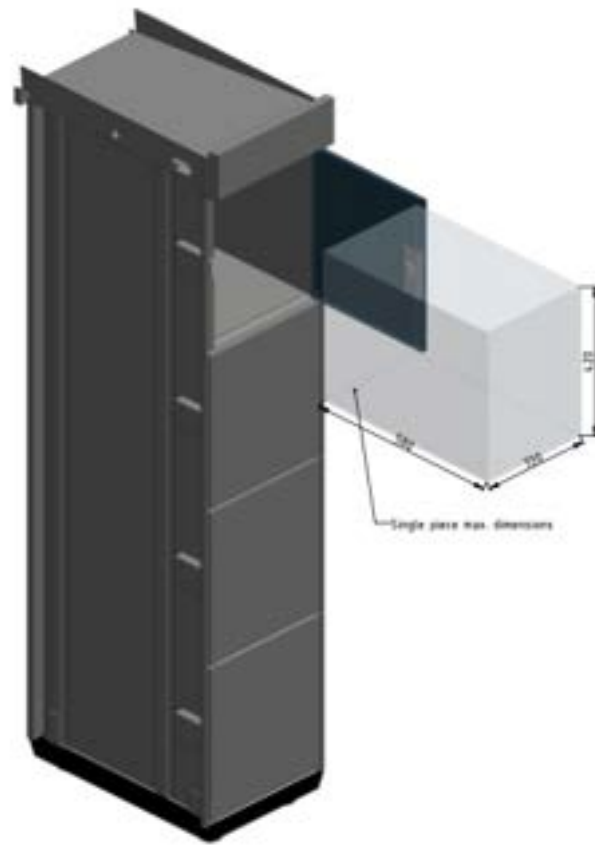


ML 3

Extra large lockers

Module dimensions:
H 201 cm x W 56,5 cm x D 90,5 cm

Maximum dimensions of packages (up to*):
H 56 cm x W 50 cm x D 80,5 cm

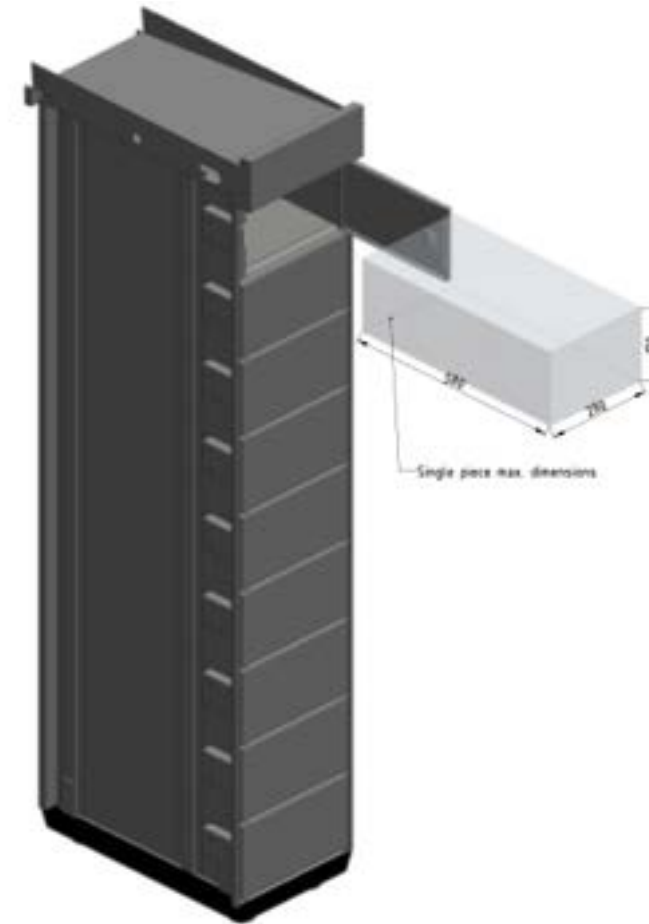


ML 4

Large lockers

Module dimensions:
H 201 cm x W 42,5 cm x D 70,5 cm

Maximum dimensions of packages (up to*):
H 44 cm x W 35 cm x D 60,5 cm



ML 9

Medium lockers

Module dimensions:
H 201 cm x W 37,5 cm x D 70,5 cm

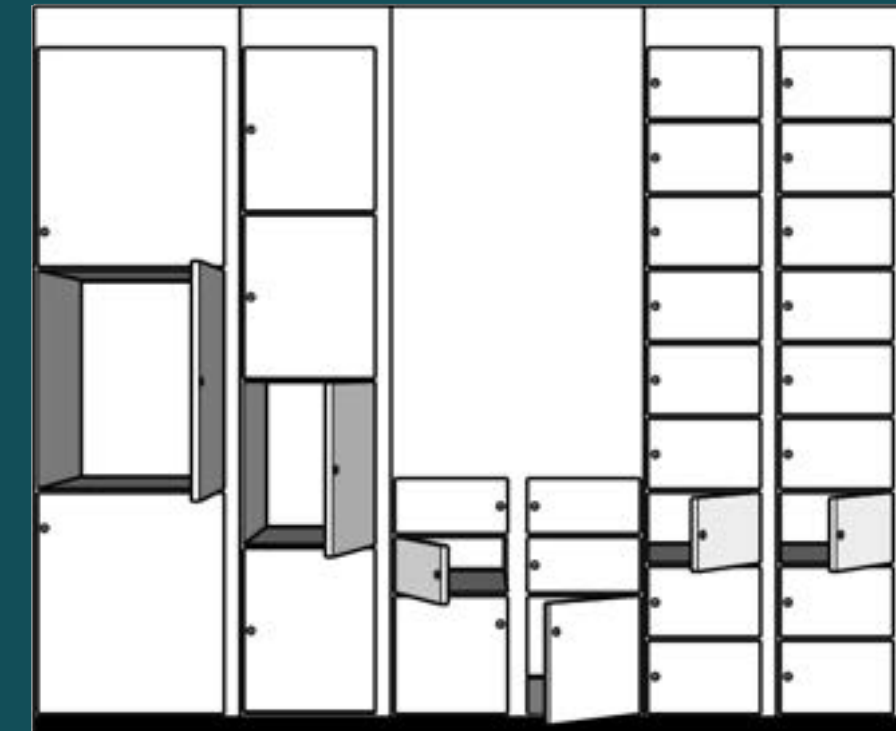
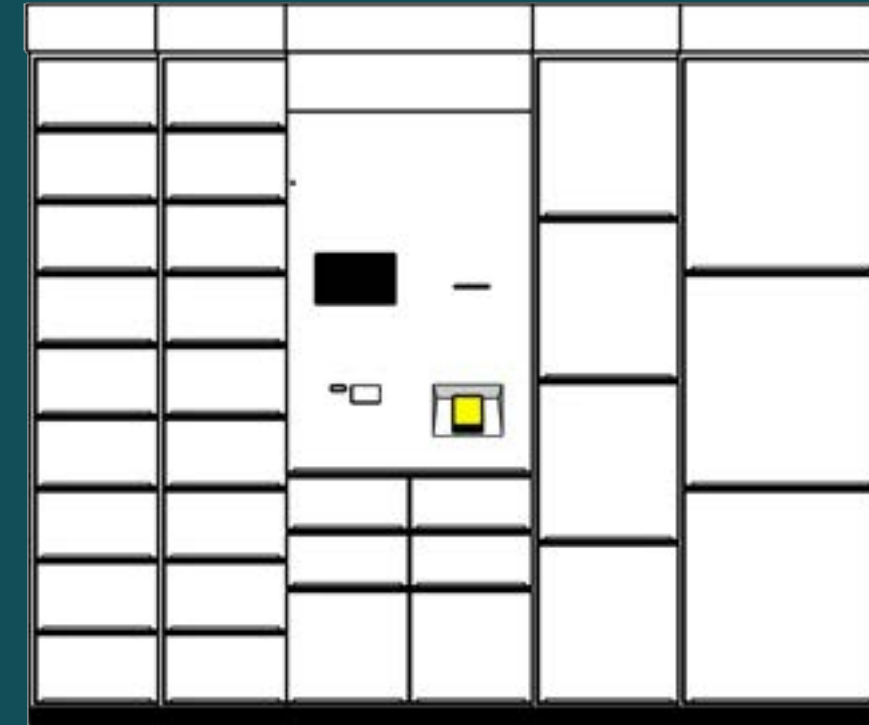
Maximum dimensions of packages (up to*):
H 19 cm x W 30 cm x D 60,5cm

MLP1

(coming soon)

2.6 Double door

In some cases, our clients prefer to integrate their lockers in the exterior walls of their building or they are just not able or allowed to install their lockers outside of their premises due to usage of public space or insurance matters. To tackle this, we have developed the option of a 'double door' locker, meaning the lockers have doors on both sides. That way, they have access to the lockers from the inside and can fill them with their orders.



2.7 Refrigerated lockers

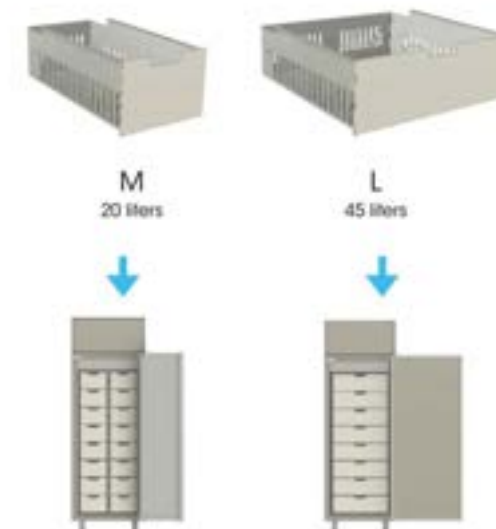
As e-commerce expands at a rapid rate, consumers are increasingly aware of being able to place orders online and pick them up either at the store or at a designated location. On top of this, they don't want restrictions on what they can buy through the Click&Collect system.

Here is where cooled "automated pickup lockers" — known as Buy Online Pick up In Store (BOPIS) lockers — come into play. Thanks to our refrigerated lockers, the items will stay fresh/cool during the entire time they are stored. This way the customer does not experience an extra stress factor of having to pick up his items as soon as possible but still has the freedom to order what he wants.

DOUBLE DOOR REFRIGERATED LOCKERS

Our first option for refrigerated lockers is a full unit. Our fully refrigerated locker unit is combined with a user terminal. When the customer arrives at the unit, he opens the main door and the drawer that contains his items lights up and is free to be opened.

- Individual drawers
- Auto closing double door to maintain cold temperature
- Chain uninterrupted
- Online Management System
- All transactions are tracked & traced
- Remotely operated
- Cools from 0-10 degrees Celsius
- Tested with outside temp up until 43 degrees Celsius



2.8 S4FE

In the last few years there has been a steep rise in the adoption of e-bikes, e-mountainbikes, e-steps and so on. Not only for smart city mobility usage but also for home use, commuter usage and leisure. This is a good evolution for the environment but it has inherent risks for the user and for on-site security management of for example large companies and factories.

Because of shock or wrong usage of charging equipment, Lithium batteries can become unstable and ignite. If this happens, the consequences can be catastrophic for your company or residential location.

Mobile Locker has developed a unique, certified and safe system for the charging of Lithium batteries. Especially for the market segment of e-bikes, e-scooters and e-steps but not limited to that.

For more information, take a look at our S4FE flyer or on our website: www.s4fe.be



Our charging lockers are equipped with a fire extinguishing system. This system is triggered by smoke detection/rise of temperature.



After detection, the entire column of lockers closes and fills with a special gas. This gas replaces the oxygen to prevent fire from spreading.



An alarm will go off to notify the emergency services. The column remains closed off until the fire department arrives to solve the problem, extending the maximum intervention time for them to 1 hour.



Akamai Lockers
(808) 941-4444
info@akamailockers.com

